

Quick Guide

SAMSUNG LASER PRINTER ML-1450 Series



If any items are missing or damaged, notify your dealer immediately. Components may differ from one country to another.

1 Install the Toner Cartridge

| | | | | |
|----------|----------|--|--|---|
| <p>1</p> | <p>2</p> | <p>3</p> <p>Carefully open the bag and remove the cartridge.</p> | <p>4</p> <p>Pull the sealing tape completely out of the cartridge.</p> | <p>5</p> <p>Gently shake the cartridge from side to side to distribute the toner evenly inside the cartridge.</p> |
| <p>6</p> | <p>7</p> | <p>8</p> | <p>9</p> | <p>CAUTION: To prevent damage, do not expose the toner cartridge to light for more than a few minutes. Cover it with a piece of paper.</p> <p>If toner gets on your clothing, wipe it off with a dry cloth and wash clothing in cold water. Hot water sets toner into fabric.</p> |

2 Load Paper

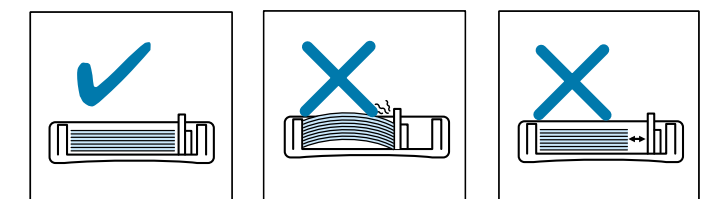
| | | | | | |
|----------|----------|----------|----------|--|----------|
| <p>1</p> | <p>2</p> | <p>3</p> | <p>4</p> | <p>5</p> <p>Keep the media below this height mark.</p> | <p>6</p> |
|----------|----------|----------|----------|--|----------|

To Change Paper Size in Tray

| | | | |
|--|---|---|---|
| <p>1</p> <p>Squeeze this metal tab to adjust for the paper length.</p> | <p>2</p> <p>Adjust the length guide so this pointer matches the desired paper size.</p> | <p>3</p> <p>After loading media, pinch the side guide as shown and slide it to the left until it lightly touches the media.</p> | <p>4</p> <p>If necessary, use the rear width guide. Pinch the rear width guide as shown and slide it to the left.</p> |
|--|---|---|---|

Notes:

- Do not push the width guide far enough to cause the media to move up.
- If you do not adjust the width guide, it may cause paper jam.

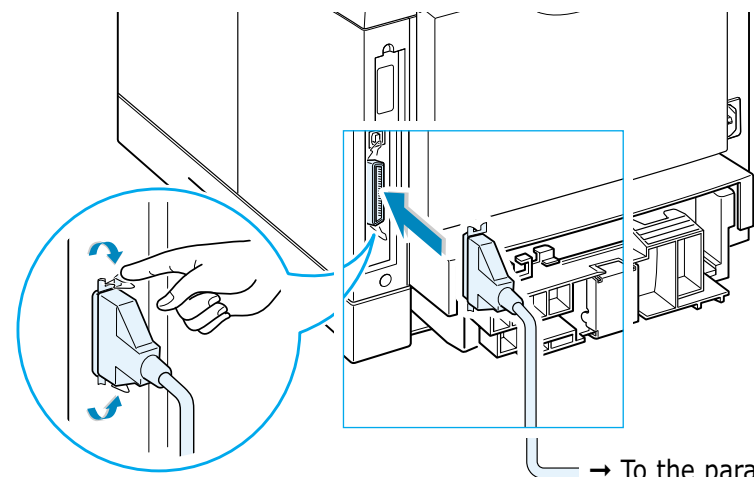


JC68-00828AV100

3

Connect to the Computer with a Parallel Cable

Make sure both the printer and the computer are turned off.

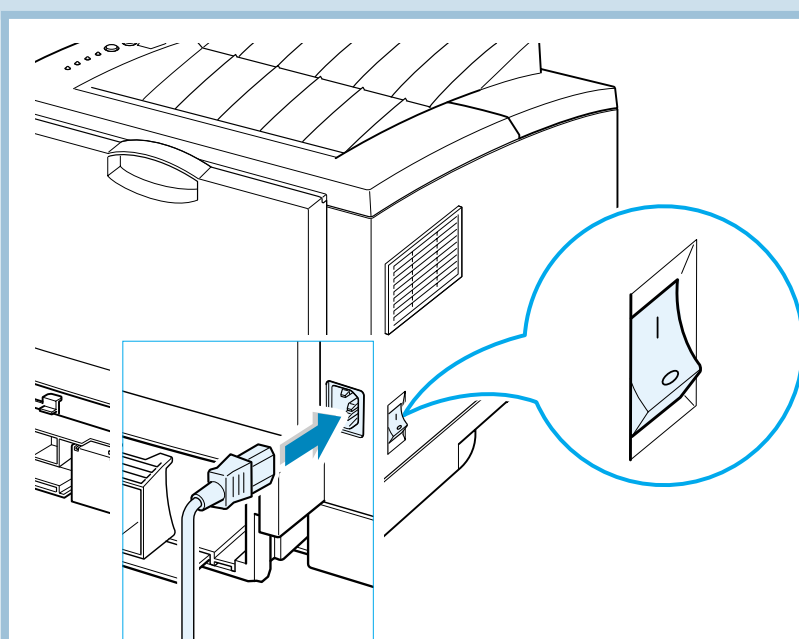


→ To the parallel port on PC

Note: If you want to connect with a USB () or an optional network interface () refer to the ML-1450 User's Guide.

4

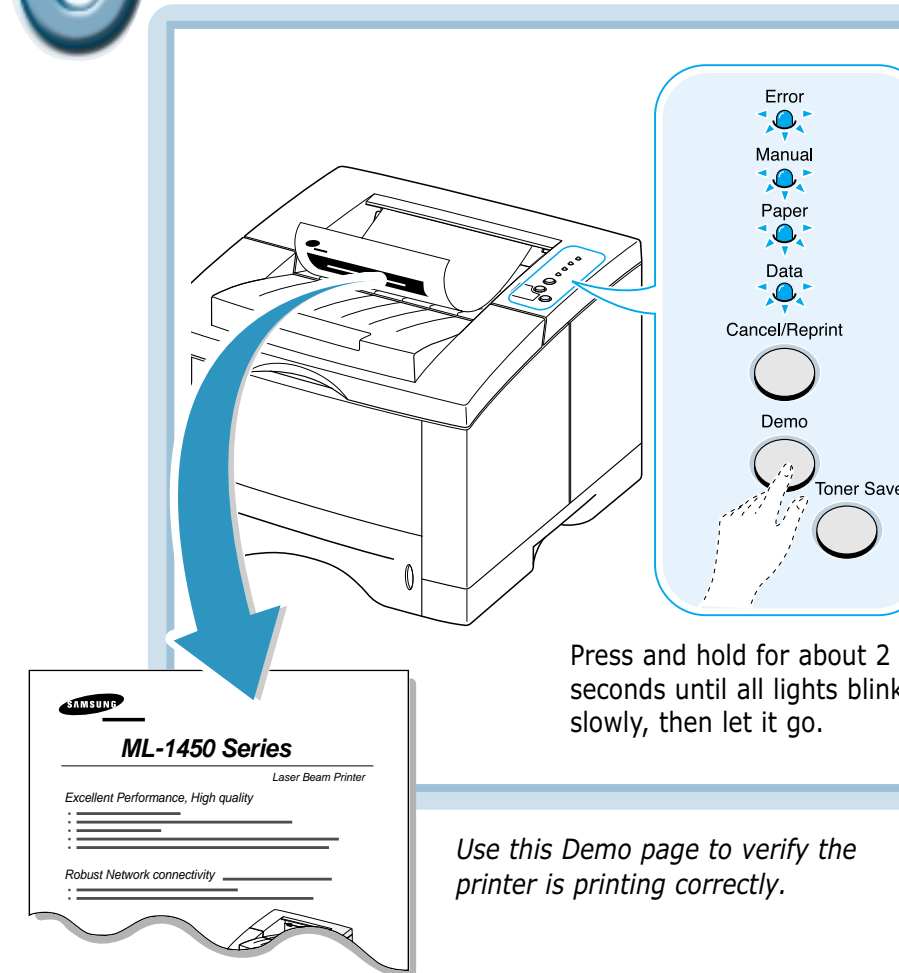
Power on the Printer



→ To AC outlet

5

Test the Printer (Print Demo Page)



Press and hold for about 2 seconds until all lights blink slowly, then let it go.

Use this Demo page to verify the printer is printing correctly.

Control Panel Buttons

Cancel/Reprint
• Cancels a job the printer is currently printing.
• In the idle mode (Data light is on), reprints the last page of the last print job.

Toner Save
• Turns the Toner Save mode on or off.
• Backlight is on—The printer will use less toner.
• Backlight is off—Normal mode.

Control Panel Lights

Error (on)
Check that:
• the printer top cover or rear door is open.
• the toner cartridge is not installed.

Manual (on)
The printer is set in the manual tray mode.

Manual (blinking)
Out of paper in the manual tray mode. Insert a sheet into the MP tray and press **Demo** to start printing.

Paper (blinking)
The printer is out of paper. Load paper.

Paper (on)
Paper is jammed inside the printer. Clear jam.

Data (blinking)
Receiving or processing data.

For further information, refer to the User's Guide provided with your printer.

6

Install the Printer Software

To operate your printer, you must install a printer driver, which translates data from your application into data the printer understands.

The CD-ROM shipped with your printer contains the following printer drivers and utilities:

- **SPL printer driver** for Windows. Use this driver to take full advantage of your printer's features.
- **PostScript Printer Description (PPD) file** for Windows and Macintosh to allow installation of the PostScript driver.

Note: For information on installing and using USB driver, PPD file, WinRCP, refer to the User's Guide provided with your printer.

Before Installing Printer Software

Verify the following:

- At least **32 MB or more of RAM** is installed on your PC.
- There is at least **200 MB of free disk space** on your PC.
- **All applications are closed on your PC before beginning installation.**

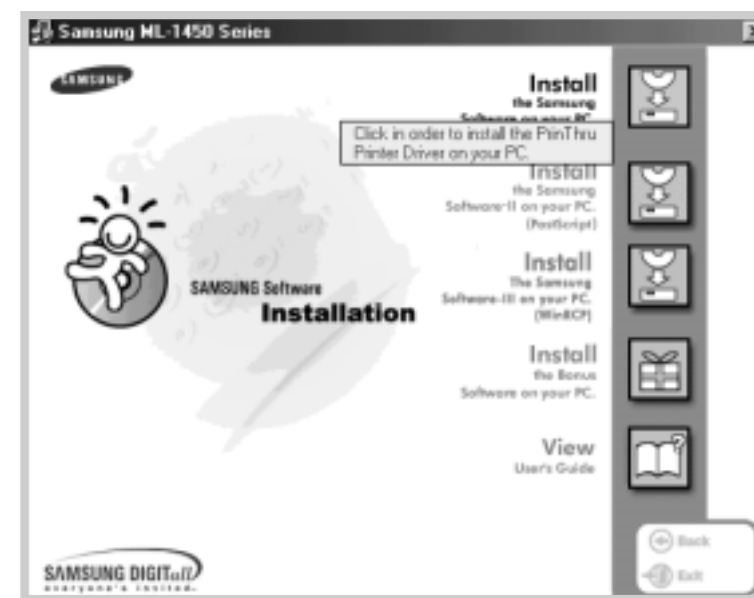
Installing Printer Software

1. Place the CD-ROM in the CD-ROM drive. Install will start automatically.

If the CD-ROM drive does not automatically run: Select **Run** from the **Start** menu, and type **x:\cdsetup.exe** in the Open box (where **x** is the drive letter for the CD-ROM drive), then click **OK**.

2. When the opening screen appears, select the appropriate language.

3. Click **Install the Samsung Software on your PC** and follow the on-screen instructions.



Software Installation Tips

How do I access printer features?

Some printer features, such as custom paper sizes and page orientation, may be available through your application settings. Use application settings, if available, because they override printer driver settings.

Access advanced printer features through your printer driver. See "Printing Tasks" section on the User's Guide for instructions on using specific printer driver features.

How do I use the printer with Macintosh?

Refer to the appendix 'Using Your Printer with a Macintosh' on the User's Guide provided with your printer.

How do I remove the printing software?

In Windows, after installation, the Uninstall icon in the ML-1450 series program group allows you to select and remove any or all of the Windows ML-1450 printing system components.

1. From the **Start** menu, select **Programs**.
2. Select **Samsung ML-1450 Series**, and then **Samsung ML-1450 Series driver Maintenance**.
3. The Samsung ML-1450 Series Maintenance dialog box appears. Check **Remove** and then click **Next**.
4. When your computer confirms your selection, click **OK**.
5. The Samsung ML-1450 Series printer driver and all of its components are removed from your computer.
6. Click **Finish**.

If you have problems installing:

• Exit your software programs. Then turn off the computer and the printer. Turn on the printer, then turn on the computer.

• Close any virus protection programs that are running on your computer.

• Reinstall is required if your installation fails.

1. From the **Start** menu, select **Programs**.
2. Select **Samsung ML-1450 Series**, and then **Samsung ML-1450 Series driver Maintenance**.
3. The Samsung ML-1450 Series Maintenance dialog box appears. Check **Repair** and then click **Next**.
4. When reinstallation is done, click **Finish**.

Printing the User's Guide

The Samsung ML-1450 Series User's Guide, which is on the software CD-ROM, is in Adobe Acrobat PDF format. The manual will give you flexibility and convenience when you have to access information. You can:

- view the manuals on-screen in different formats (side-by-side or two-up, one page at a time, scrolling two-up, article flow, and zooming capability up to 1600%).
- conduct full-text searches through all of the manuals.
- print only the manual page that you need.

1. Place the CD-ROM in the CD-ROM drive.
2. When the opening screen appears, select the appropriate language.
3. Click **View User's Guide**. The Adobe Acrobat program opens and you can view the User's Guide.
4. To print the manual, from the **File** menu, select **Print**.
5. From the Print dialog box, set the necessary print setting and click **OK** to start printing.

Note: To open the User's Guide, you are required the Adobe Acrobat Reader program installed on your computer. If you do not have the program on your PC, click **Install the Bonus Software on your PC** to install the program.